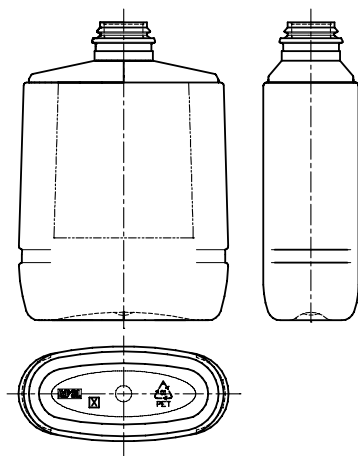


Pharmaceutical Plastic Packaging Packaging for Liquids



Oral care – Tooth gel



2EN1 75 M1715 PET 9	187	75	85	61 x 29	80	M1715
2EN1 100 M1715 PET 11	310	100	110	61 x 28	98	M1715

- PET bottles for tooth gel
- Can be supplied with caps, reducers and other accessories