



Tight Seal

One Piece Design

Standard Fit

Single Source Supply

Your Partner for  
Pharmaceutical  
Packaging and  
Systems



Caps and  
Measuring Cups

for Plastic and  
Glass Bottles



**GERRESHEIMER**

**Gerresheimer Bolesławiec S.A.**  
ul. Bolesława Chrobrego 15 • 59-700 Bolesławiec • Poland

**Gerresheimer Vaerloese A/S**  
Walgerholm 2-8 • 3500 Vaerloese • Denmark

**Gerresheimer Valencia, S.L.U.**  
Avenida de Conchin Ferrer No. 1 • 46292 Masalavés (Valencia) • Spain

**Gerresheimer Zaragoza, S.A.**  
P.I. Valdemuel • Camino del Sabinar s/n • 50290 Epila (Zaragoza) • Spain  
[info-plasticpackaging@gerresheimer.com](mailto:info-plasticpackaging@gerresheimer.com)

**Gerresheimer Moulded Glass GmbH**  
Plant Essen • Ruhrau 50 • 45279 Essen • Germany  
[info-mg-pharma-eu@gerresheimer.com](mailto:info-mg-pharma-eu@gerresheimer.com)

**GERRESHEIMER AG**  
[www.gerresheimer.com](http://www.gerresheimer.com)

**GERRESHEIMER**

# Gerresheimer Caps and Cups

The solution for the complex and continuously increasing quality requirements in the pharmaceutical industry

With its long experience in the demanding pharmaceutical market, Gerresheimer has developed innovative lightweight single-piece PP caps and measuring cups to complement its wide range of pharmaceutical bottles. The caps are specifically designed for liquid pharmaceuticals to suit the industry standard PP18 and PP28 neck finish. The caps, manufactured under ISO 8 environment on high-class electric injection-moulding-machines, can be used with PE, PET (PP18, PP28) and glass bottles (PP28), offering the security of tamper evidence at a competitive price.

Bottles, caps and measuring cups are now available from one single source – Gerresheimer.



## Caps

### Cap PP28 Standard

- Fits all PP28 necks
- One piece design
- Lipseal
- Tamper evident ring
- Tight seal
- Suitable for PE, PET and glass bottles
- Manufactured under ISO 8 environment

### Cap PP18 Standard

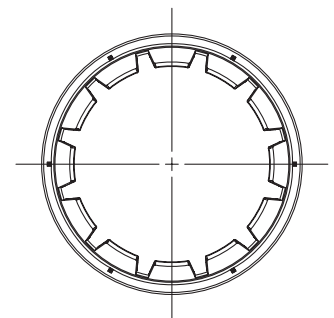
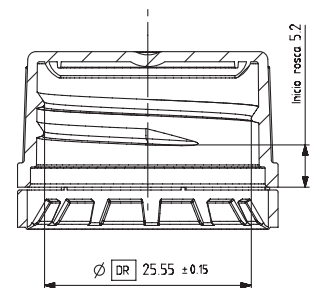
- Fits all PP18 necks
- One piece design
- Tamper evident ring
- Tight seal
- Suitable for PE and PET bottles
- Manufactured under ISO 8 environment



## Measuring Cup

- Fits to cap PP28 Standard
- Secure fit to all bottles
- Tight fit
- Measuring lines with internal or external reading
- Available in clear or coloured PP
- Area to show customer logo
- Manufactured under ISO 8 environment

Cap PP28 Standard fits PE, PET and all Glass Bottles



- Tight Seal
- One Piece Design
- Standard Fit
- Single Source Supply